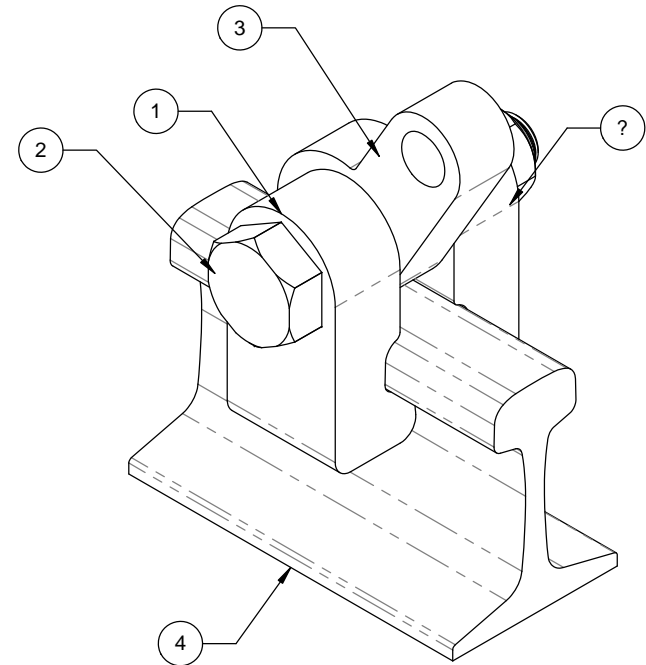


ITEM NO.	PART NUMBER	DESCRIPTION	QTY.
1	CLAMP PAD	BISALLOY-80 AS3697	2
2	PIN	4140 AS1440	1
3	CAM	BISALLOY-400 AS3697	1
4	A-68 RAIL		1
5	M42 x 4.5 NYLOC NUT		1



D.O.T.
ENGINEERING

1 / 57 PARAMOUNT DRV
WANGARA. 6065
WESTERN AUSTRALIA.

TEL: (08) 9302 4166

FAX: (08) 9302 4099

THIS DRAWING AND THE INFORMATION ON IT
REMAINS THE PROPERTY OF DOT ENGINEERING
WRITTEN PERMISSION MUST BE OBTAINED FROM
DOT ENGINEERING TO COPY OR REPRODUCE
THE WHOLE OR PART OF THIS DRAWING.

DRAWN	RM	TITLE CAM-LOK A-68 RAIL PULLER		
CHECKED		SIZE 3T	SCALE 1:3.5	DATE 16-Jun-14
APPROVED		PROJECT RAIL TONGS	DWG 11410 - 1	REV 0