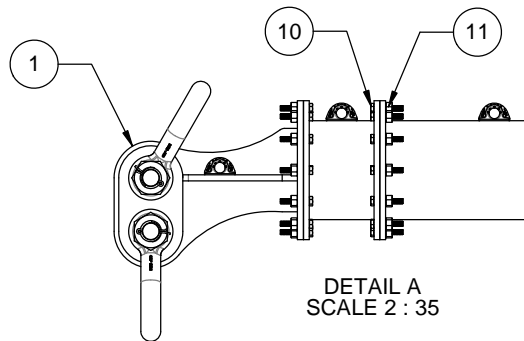
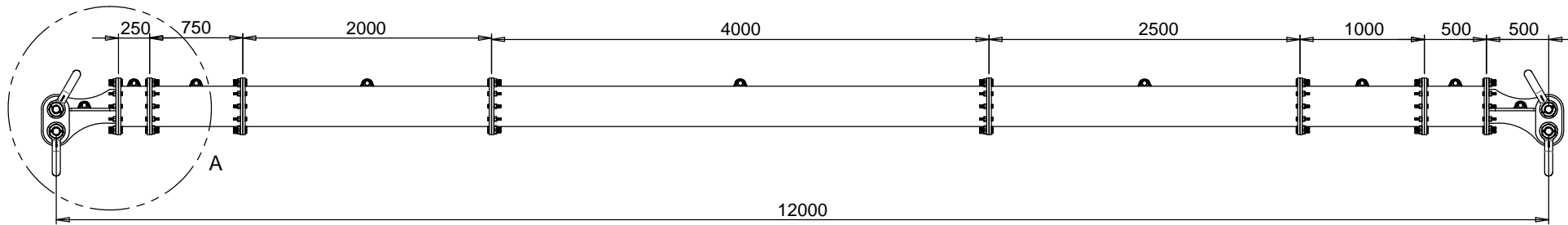
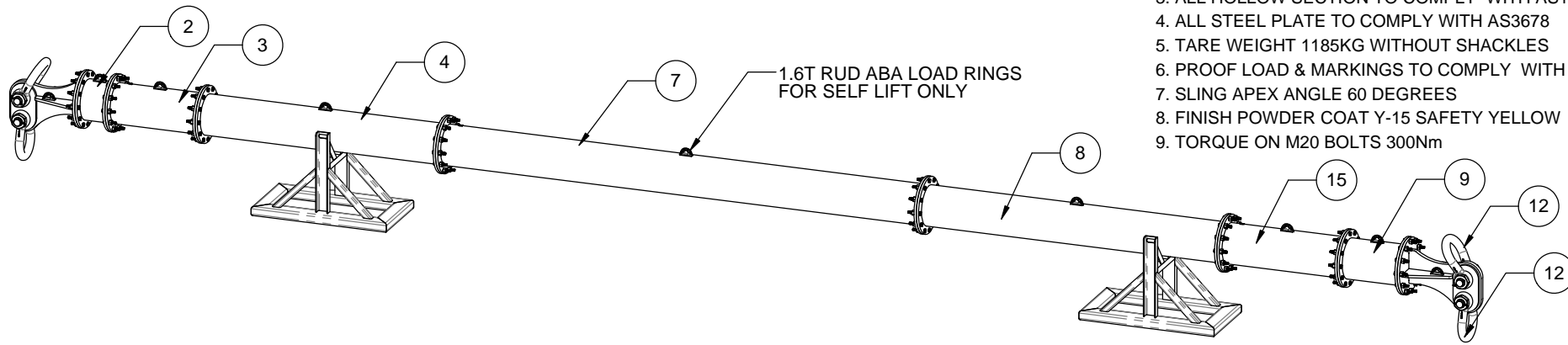


NOTE:

1. ALL WELDING TO COMPLY WITH AS1554.1 CAT SP
2. ALL WELDS 8mm CFW UNLESS OTHERWISE SHOWN
3. ALL HOLLOW SECTION TO COMPLY WITH AS1163 GDR350
4. ALL STEEL PLATE TO COMPLY WITH AS3678
5. TARE WEIGHT 1185KG WITHOUT SHACKLES
6. PROOF LOAD & MARKINGS TO COMPLY WITH AS4991-2004
7. SLING APEX ANGLE 60 DEGREES
8. FINISH POWDER COAT Y-15 SAFETY YELLOW
9. TORQUE ON M20 BOLTS 300Nm



ITEM NO.	PART NUMBER	WEIGHT	QTY.
1	11636-END LUG	111KG	2
2	11633-MODULE 250	40KG	1
3	11633-MODULE 750	77KG	1
4	11633-MODULE 2000	148KG	1
5	11633-MODULE 4000	314KG	1
6	11633-MODULE 2500	205KG	1
7	11633-MODULE 500	58KG	1
8	11633-MODULE 1000	95KG	1
9	55T SAFETY BOW SHACKLE		4
10	M16 x 95 GRD 8.8 HEX HEAD BOLTS		96
11	M16 HEX NUT		96

APPROVE FOR MANUFACTURE

PRINT NAME:

SIGNATURE:

DATE:

**D.O.T.**  
**ENGINEERING**

1 / 57 PARAMOUNT DRV  
WANGARA. 6065  
WESTERN AUSTRALIA.

TEL: (08) 9302 4166

FAX: (08) 9302 4099

THIS DRAWING AND THE INFORMATION ON IT  
REMAINS THE PROPERTY OF DOT ENGINEERING  
WRITTEN PERMISSION MUST BE OBTAINED FROM  
DOT ENGINEERING TO COPY OR REPRODUCE  
THE WHOLE OR PART OF THIS DRAWING.

DRAWN

RM

TITLE 80T x 12000 MODULAR SPREADER BEAM

CHECKED

SIZE 80T

SCALE

1:35

DATE

16-Oct-15

APPROVED

PROJECT BEAMS

DWG

11636 - 1

REV

0