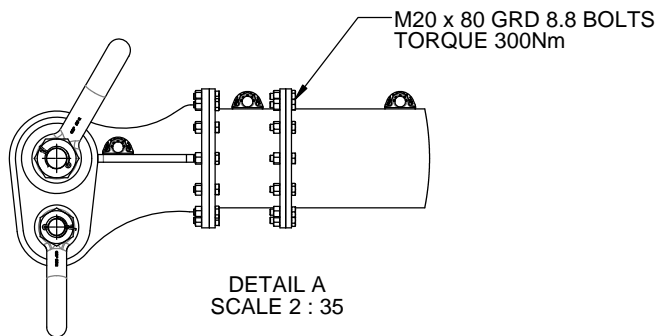
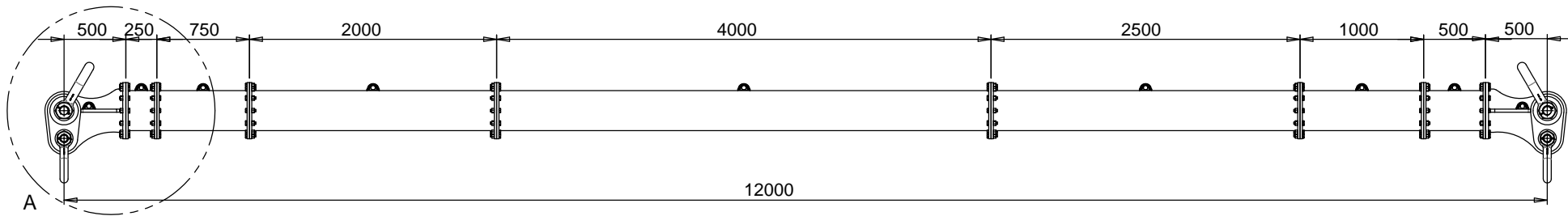
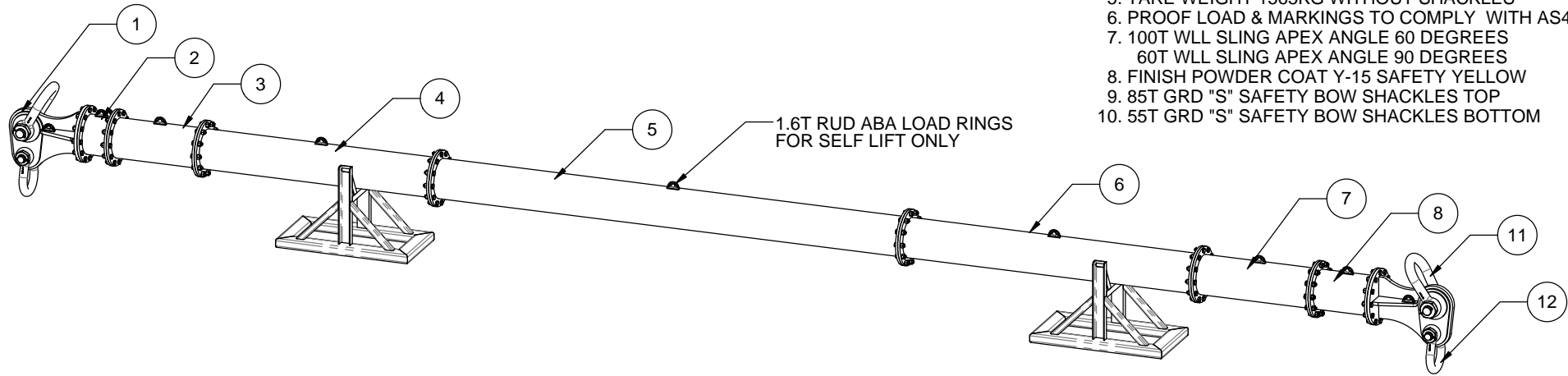


NOTE:

1. ALL WELDING TO COMPLY WITH AS1554.1 CAT SP
2. ALL WELDS 8mm CFW UNLESS OTHER WISE SHOWN
3. ALL HOLLOW SECTION TO COMPLY WITH AS1163 GDR350
4. ALL STEEL PLATE TO COMPLY WITH AS3678
5. TARE WEIGHT 1565KG WITHOUT SHACKLES
6. PROOF LOAD & MARKINGS TO COMPLY WITH AS4991-2004
7. 100T WLL SLING APEX ANGLE 60 DEGREES
60T WLL SLING APEX ANGLE 90 DEGREES
8. FINISH POWDER COAT Y-15 SAFETY YELLOW
9. 85T GRD "S" SAFETY BOW SHACKLES TOP
10. 55T GRD "S" SAFETY BOW SHACKLES BOTTOM



ITEM NO.	PART NUMBER	WEIGHT	QTY.
1	11633-LUG	155KG	2
2	11633-MODULE 250	45KG	1
3	11633-MODULE 750	93KG	1
4	11633-MODULE 2000	214KG	1
5	11633-MODULE 4000	408KG	1
6	11633-MODULE 2500	263KG	1
7	11633-MODULE 1000	118KG	1
8	11633-MODULE 500	69KG	1
9	M20 x 80 GRD 8.8 HEX HEAD BOLTS		108
10	M20 HEX NUTS		108
11	85T SAFETY BOW SHACKLE		2
12	55T SAFETY BOW SHACKLE		2

**D.O.T.
ENGINEERING**

1 / 57 PARAMOUNT DRV
WANGARA. 6065
WESTERN AUSTRALIA.

TEL: (08) 9302 4166

FAX: (08) 9302 4099

THIS DRAWING AND THE INFORMATION ON IT
REMAINS THE PROPERTY OF DOT ENGINEERING
WRITTEN PERMISSION MUST BE OBTAINED FROM
DOT ENGINEERING TO COPY OR REPRODUCE
THE WHOLE OR PART OF THIS DRAWING.

DRAWN	RM	TITLE	100T x 12000 MODULAR SPREADER BEAM		
CHECKED		SIZE	100T	SCALE	1:35
APPROVED		PROJECT	BEAMS	DWG	11633 - 1
				DATE	12-Oct-15
				REV	1