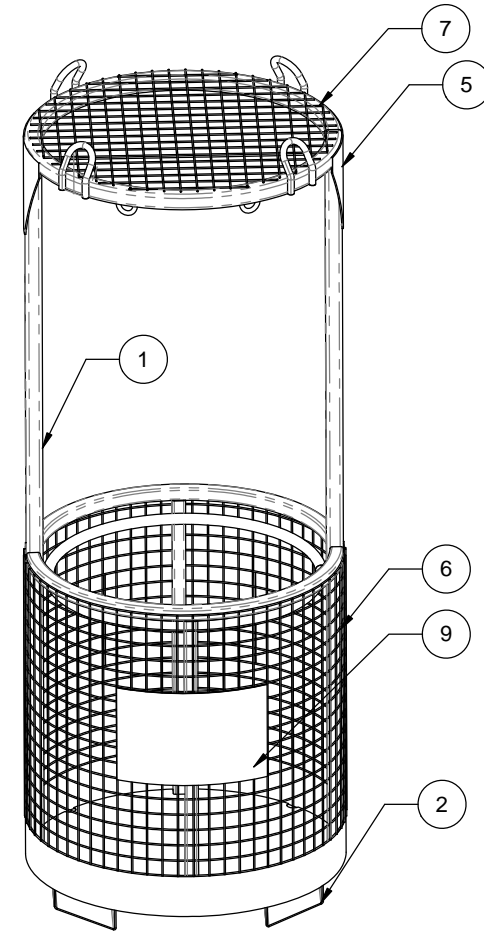
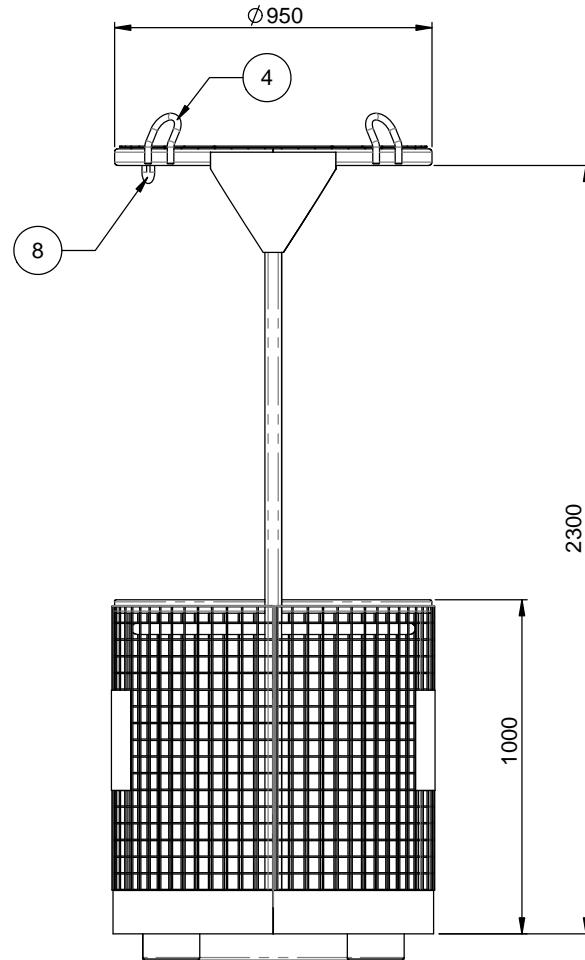
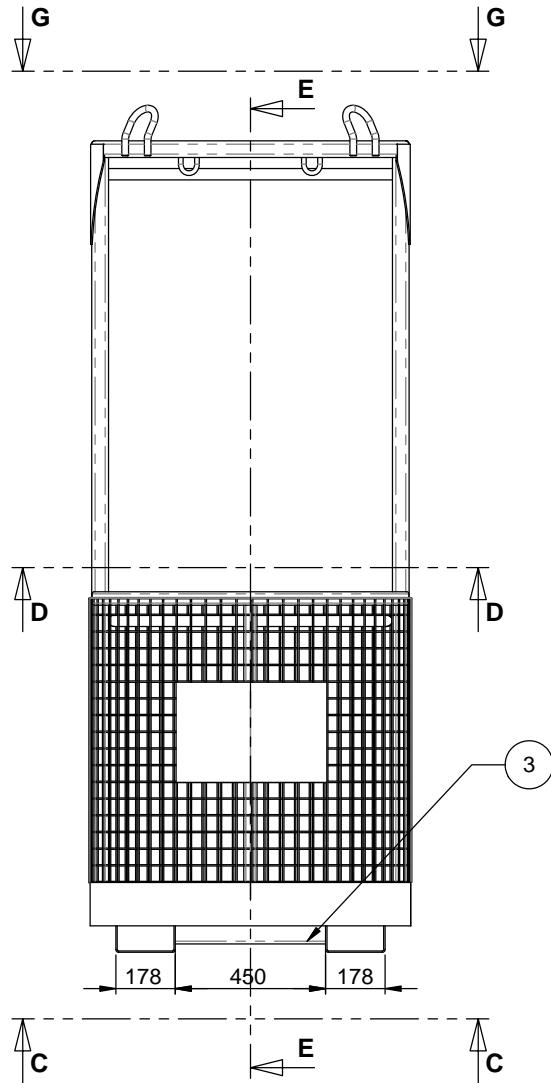


NOTE:

1. TARE WEIGHT 140KG - SWL 250KG - MAXIMUM HOISTED LOAD 390KG
2. SLINGS TO BE 13mm DIA. (MINIMUM) GRADE 1770 IWR WITH FERRULE SECURED EYES OR 10mm GRADE "T" CHAIN
3. MINIMUM ALLOWABLE RATED CRANE CAPACITY 1000KG
4. LIFTING SLING APEX ANGLE SHALL BE 60 DEGREES
5. ALL WELDING TO COMPLY WITH AS1554.1 CAT SP 2004
6. ALL WELDS 5mm CONTINUOUS FILLET WELDS U.N.O.
7. WELD INSPECTION SHALL INCLUDE 100% VISUAL AND 100% M.P.I. TO ALL LOAD BEARING WELDS
8. WORK CAGE TO COMPLY WITH AS1418.17 1996
9. PROOF LOAD AND SIGNAGE TO COMPLY WITH AS1418.17 1996
10. FINISH POWDER COAT GOLDEN YELLOW

ITEM NO.	PART NUMBER	DESCRIPTION	Default/ QTY.
1	4112-CAGE FRAME		1
2	4112-TINE POCKET		2
3	4112-FLOOR STIFFENER		2
4	4112-LUG		4
5	4112-GUSSET		2
6	4112-MESH		2
7	4112-ROOF MESH		1
8	4112-LANYARD ANCHOR		2
9	4112-SIGN PLATE	450 x 300 x 1.55 ZINC SEAL	2



**D.O.T.**  
**ENGINEERING**

1 / 57 PARAMOUNT DRV  
WANGARA. 6065  
WESTERN AUSTRALIA.

TEL: (08) 9302 4166

FAX: (08) 9302 4099

THIS DRAWING AND THE INFORMATION ON IT  
REMAINS THE PROPERTY OF DOT ENGINEERING  
WRITTEN PERMISSION MUST BE OBTAINED FROM  
DOT ENGINEERING TO COPY OR REPRODUCE  
THE WHOLE OR PART OF THIS DRAWING.

DRAWN	RM	TITLE 2 PERSON CIRCULAR WORK BOX		
CHECKED		SIZE 250KG	SCALE 1:16	DATE 17-Apr-15
APPROVED		PROJECT WORK BOXES	DWG 4112 - 1	REV 0