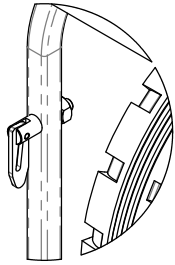
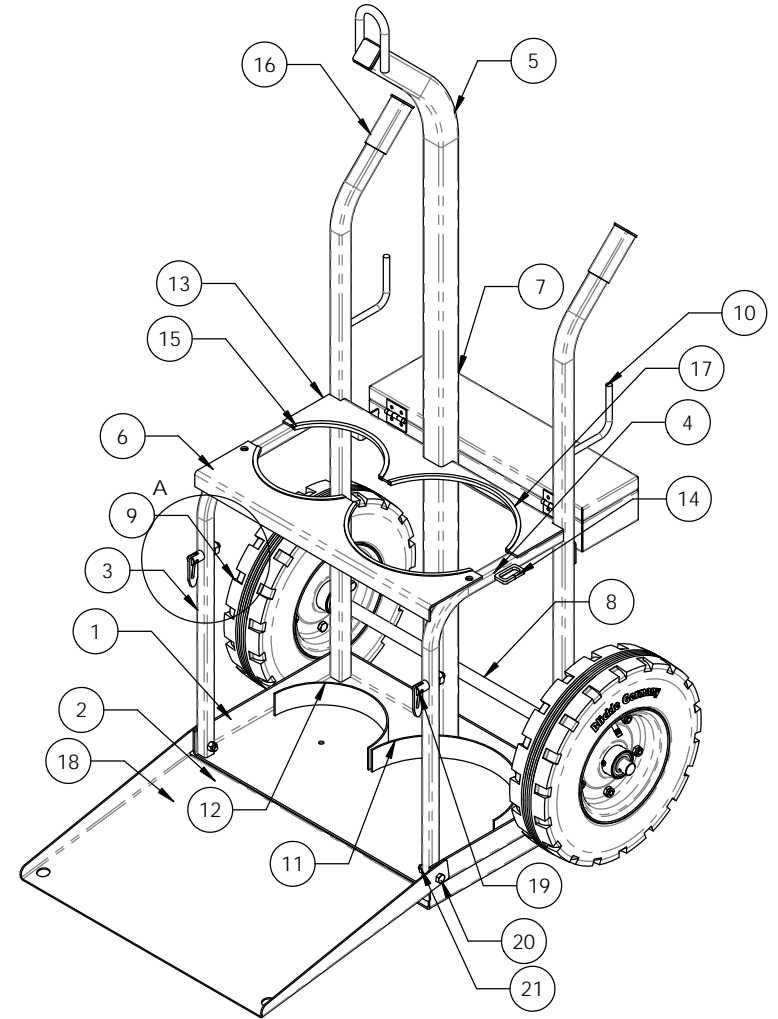
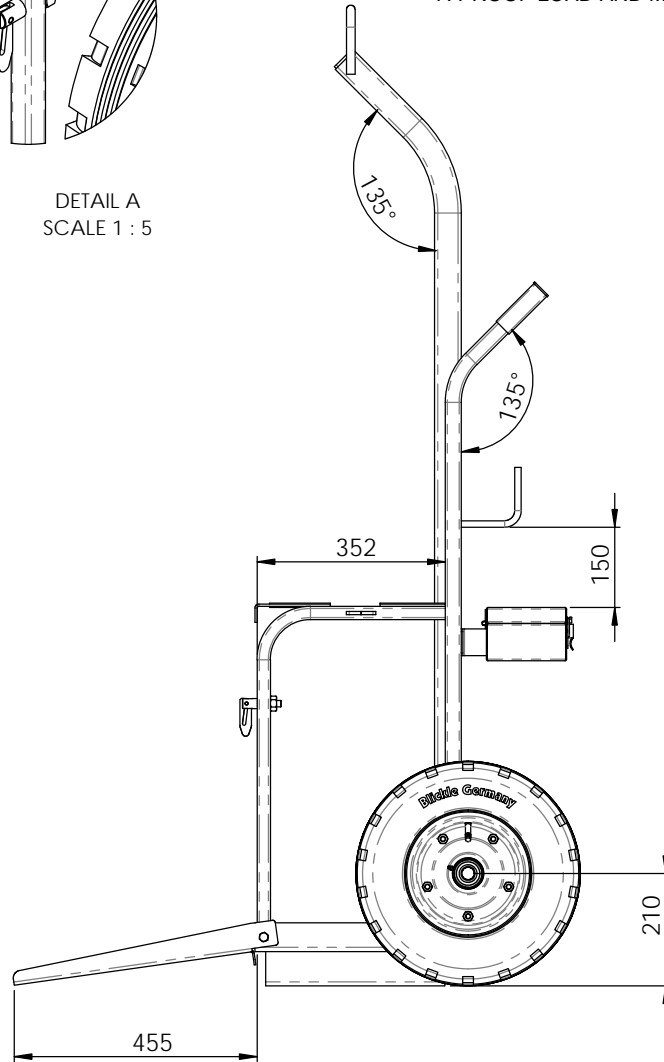
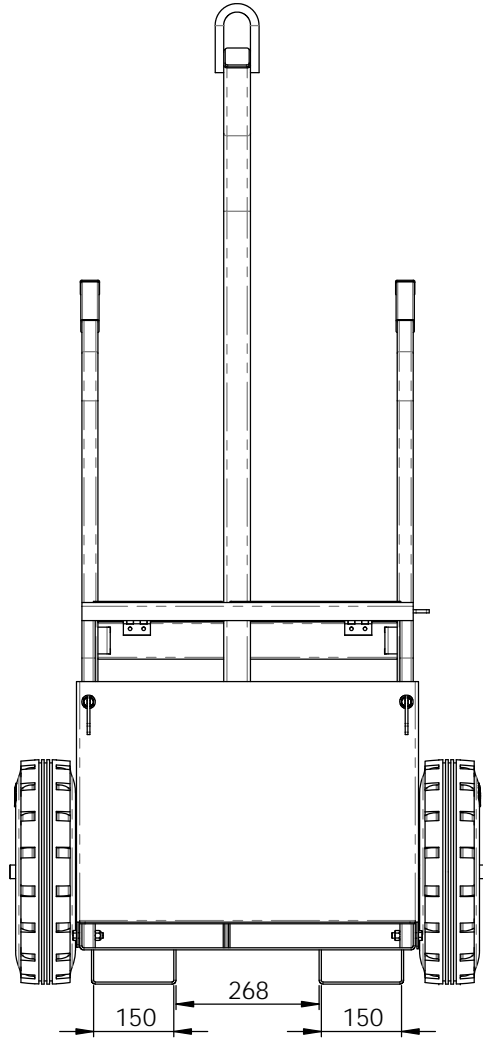


NOTE:

1. ALL WELDING TO COMPLY WITH AS1554.1 CAT SP
2. ALL WELDS 5mm FILLET WELDS
3. ALL HOLLOW SECTION TO COMPLY WITH AS1163 GRD350
4. ALL STEEL PLATE TO COMPLY WITH AS3678
5. TARE WEIGHT 65KG
6. FINISH POWDER COAT GOLDEN YELLOW
7. PROOF LOAD AND MARKINGS TO COMPLY WITH AS4991



DETAIL A
SCALE 1 : 5



D.O.T.
ENGINEERING

1 / 57 PARAMOUNT DRV
WANGARA. 6065
WESTERN AUSTRALIA.

TEL: (08) 9302 4166

FAX: (08) 9302 4099

THIS DRAWING AND THE INFORMATION ON IT
REMAINS THE PROPERTY OF DOT ENGINEERING
WRITTEN PERMISSION MUST BE OBTAINED FROM
DOT ENGINEERING TO COPY OR REPRODUCE
THE WHOLE OR PART OF THIS DRAWING.

DRAWN	RM	TITLE	"G" SIZE OXY/ACET GAS BOTTLE TROLLEY WITH RAMP		
CHECKED		SIZE	200 KG WLL	SCALE	1:10
APPROVED		PROJECT	GAS BOTTLES	DWG	11776 - 1
				DATE	16-Sep-16
				REV	4

ITEM NO.	PART NUMBER	QTY.
1	11776-BASE	1
2	11776-TINE POCKETS	2
3	11776-L.H. SIDE FRAME ASSEMBLY	1
4	11776-R.H. SIDE FRAME ASSEMBLY	1
5	11776-LIFTING BAR ASSEMBLY	1
6	11776-FRONT GUIDE PLATE	1
7	11776-TOOL BOX ASSEMBLY	1
8	11776-AXLE ASSEMBLY	1
9	400X8KN-SB10 PNEUMATIC WHEELS	2
10	11776-HOSE HOOK	2
11	11776-ACETYLENE RING	1
12	11776-OXYGEN RING	1
13	11776-REAR GUIDE PLATE	1
14	11776-6mm SPLIT LINK	1
15	11776-OXY PINCH WELD	1
16	11776-PLASTIC GRIP	2
17	11776-ACETYLENE PINCH WELD	1
18	11776-RAMP	1
19	ANTILUCE FASTENER UES3275-1	2
20	M10 x 50 GRD 8.8 HEX HEAD BOLT	2
21	M10 CONE LOCK NUT	2