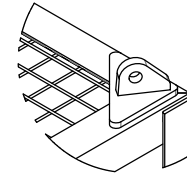
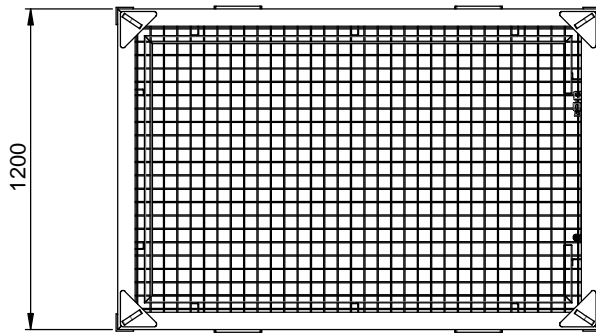
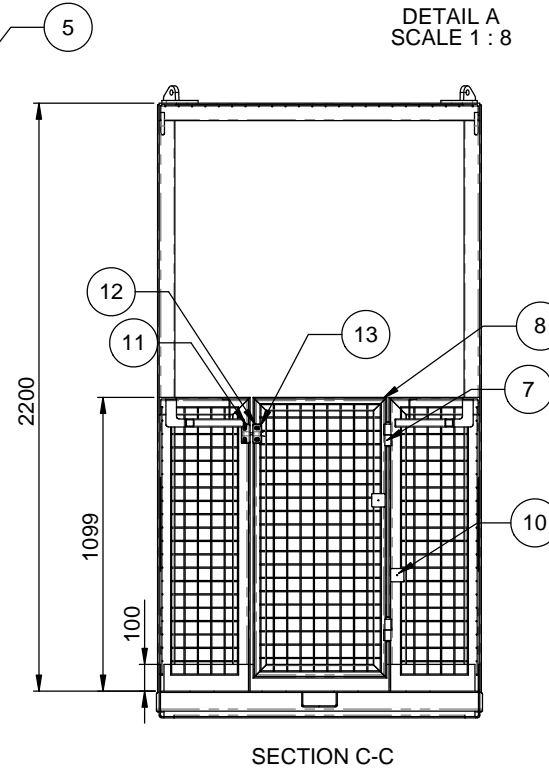
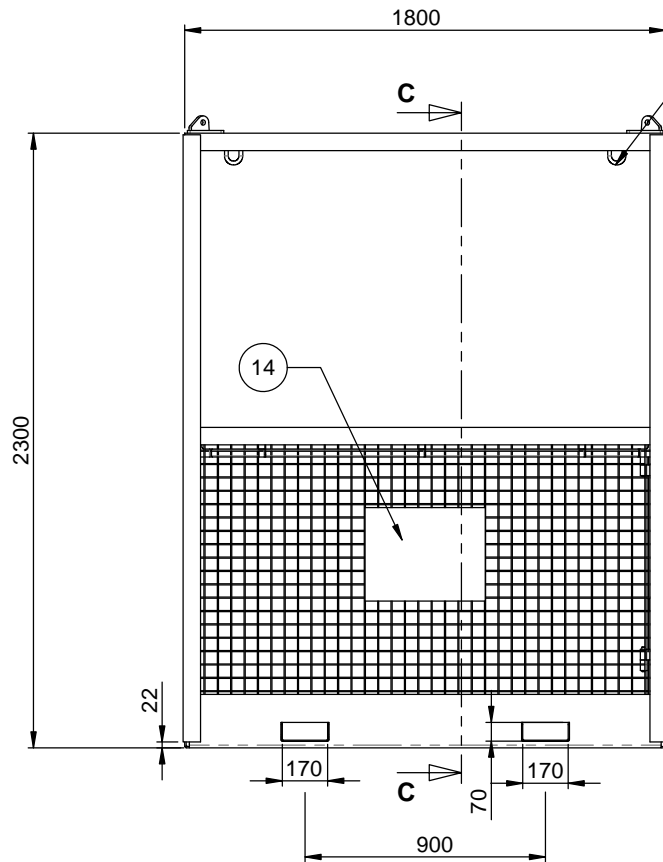


ITEM NO.	PART NUMBER	QTY.
1	11719-FRAME	1
2	11719-SIDE MESH	2
3	11719-END MESH	1
4	11719-GATE END MESH	2
5	11719-LANYARD ANCHOR	4
6	11719-ROOF MESH	1
7	11719-HINGE	2
8	11719-GATE ASSEMBLY	1
10	11719-SPRING PLATE	1
11	11719-LATCH PLATE RH	1
12	11719-LATCH PLATE LH	1
13	MAGNA LATCH MLSP2	1
14	11719-SIGN PLATE	2

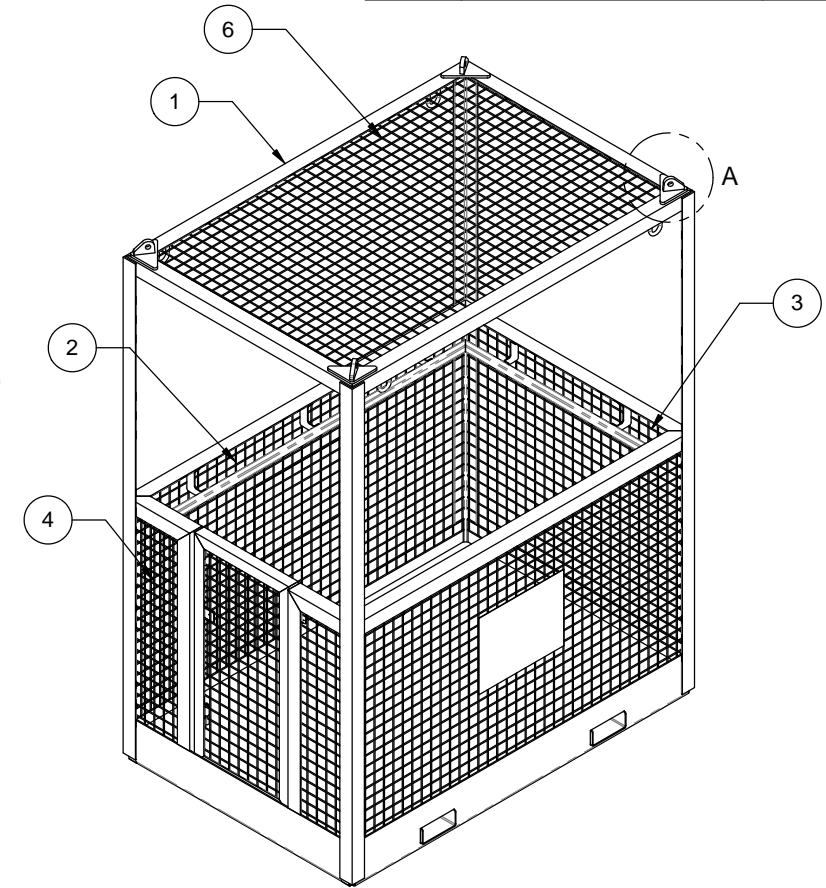
- NOTE:
1. TARE WEIGHT 375KG - SWL 500KG - MAXIMUM HOISTED LOAD 875KG
 2. SHACKLES TO BE 2T GRD "S" SAFETY BOW SHACKLES
 3. SLINGS TO BE 13mm DIA. (MINIMUM) GRADE 1770 IWR WITH FERRULE SECURED EYES
 4. SLING LEGS SHALL BE 3950mm EFFECTIVE LENGTHS
 5. ALL WELDING TO COMPLY WITH AS1554.1 CAT SP 2004
 6. ALL WELDS 5mm CONTINUOUS FILLET WELDS U.N.O.
 7. WELD INSPECTION SHALL INCLUDE 100% VISUAL AND 100% M.P.I. TO ALL LOAD BEARING WELDS
 8. WORK CAGE TO COMPLY WITH AS1418.17 1996
 9. PROOF LOAD AND SIGNAGE TO COMPLY WITH AS1418.17 1996
 10. FINISH POWDER COAT Y-15 SUNFLOWER YELLOW
 11. GATE TO BE INWARD OPENING AND SELF CLOSING



DETAIL A
SCALE 1 : 8



SECTION C-C



D.O.T.
ENGINEERING

1 / 57 PARAMOUNT DRV
WANGARA. 6065
WESTERN AUSTRALIA.

TEL: (08) 9302 4166

FAX: (08) 9302 4099

THIS DRAWING AND THE INFORMATION ON IT
REMAINS THE PROPERTY OF DOT ENGINEERING
WRITTEN PERMISSION MUST BE OBTAINED FROM
DOT ENGINEERING TO COPY OR REPRODUCE
THE WHOLE OR PART OF THIS DRAWING.

DRAWN	RM	TITLE	FOUR PERSON WORK BOX		
CHECKED		SIZE	500KG	SCALE	1:20
APPROVED		PROJECT	CAGES	DWG	11719 - 1
				DATE	23-May-16
				REV	0