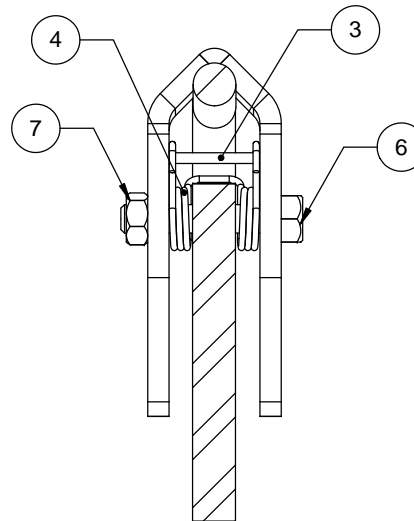
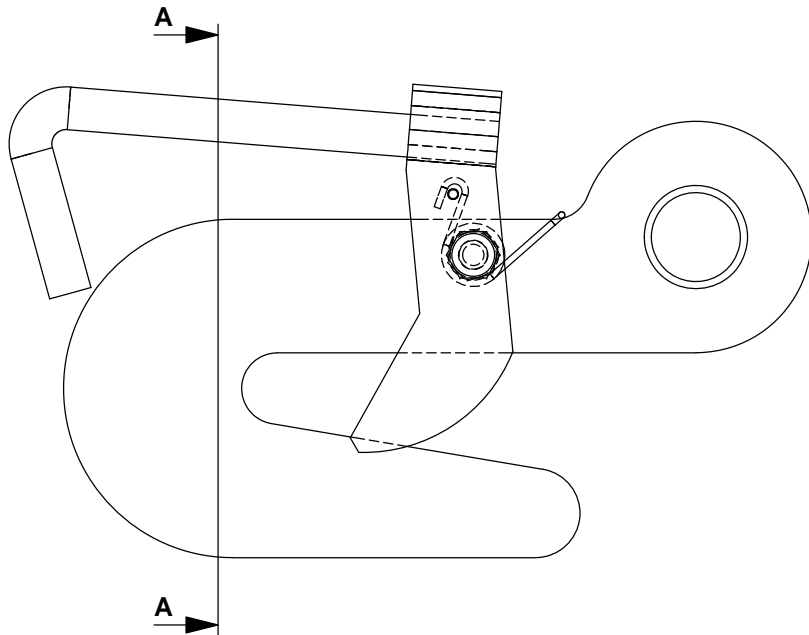
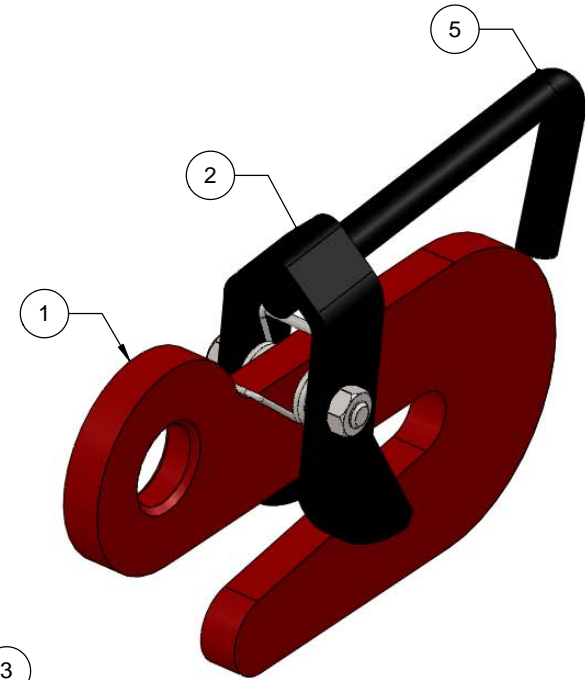
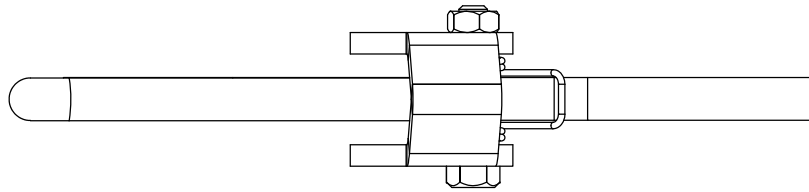


NOTE:

1. TARE WEIGHT 3.5KG PER PAIR
2. SLING APEX ANGLE TO BE 90 DEGREES
3. POWDER COAT CAM RIPPLE BLACK
4. POWDER COAT BODY FLAME RED



SECTION A-A

ITEM NO.	PART NUMBER	QTY.
1	BODY	1
2	CAM ASSEMBLY	1
3	3mm x 35mm ROLL PIN	1
4	TORSION SPRING	1
5	HANDLE	1
6	M8 x 45 GRD 8.8 BOLT	1
7	M8 NUT	1

D.O.T.
ENGINEERING

1 / 57 PARAMOUNT DRV
WANGARA. 6065
WESTERN AUSTRALIA.

TEL: (08) 9302 4166

FAX: (08) 9302 4099

THIS DRAWING AND THE INFORMATION ON IT
REMAINS THE PROPERTY OF DOT ENGINEERING
WRITTEN PERMISSION MUST BE OBTAINED FROM
DOT ENGINEERING TO COPY OR REPRODUCE
THE WHOLE OR PART OF THIS DRAWING.

DRAWN	RM	TITLE	SELF SUPPORTING PIPE LIFTING HOOKS		
CHECKED		SIZE	1.5T WLL PER PAIR	SCALE	1:1.5
APPROVED		PROJECT	HOOKS	DWG	10283 - 1
				DATE	12-Sep-11
				REV	1