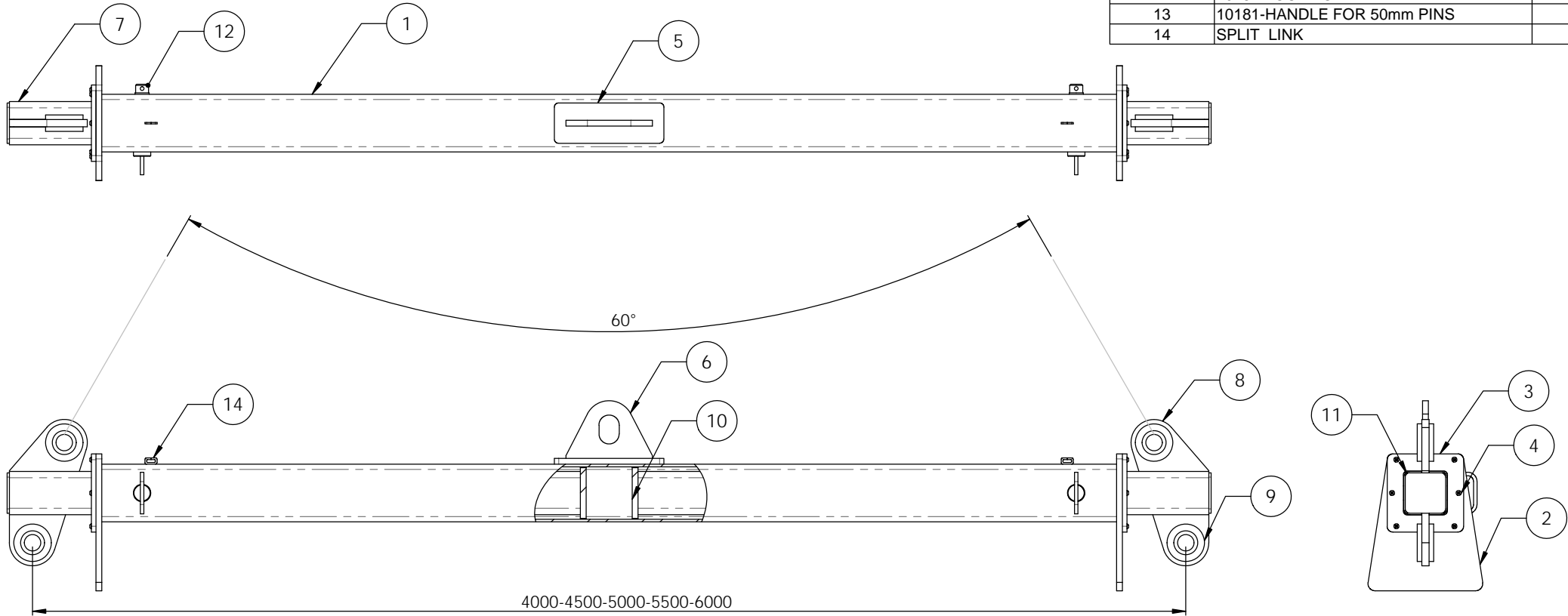


**NOTE:**

1. ALL WELDING TO AS 1554.1 CAT SP
2. ALL WELDS 8mm CFW
3. ALL STEEL PLATE TO AS 3678
4. ALL HOLLOW SECTIONS TO AS 1163 GRD350
5. 25T GRD "S" SAFETY BOW SHACKLES TOP & BOTTOM
6. LIFTING SLING APEX ANGLE 60 DEGREES
7. PROOF LOAD & MARKINGS TO AS 4991
8. TARE WEIGHT 452KGS

ITEM NO.	PART NUMBER	QTY.
1	10181-OUTER BEAM	1
2	10181-GUIDE PLATE	2
3	10181-FRONT GUIDE PLATE	2
4	M10 x 35 BUTTON HEAD SOCKET SCREW	16
5	10181-LIFT LUG BASE PLATE	1
6	10181-LIFTING LUG	1
7	10181-INNER BEAM	2
8	10181-LOAD LUG	2
9	10181-CHEEK PLATE	8
10	10181-END PLATE INNER BEAM	2
11	10181-END CAP	2
12	10181-LOCATION PIN	2
13	10181-HANDLE FOR 50mm PINS	2
14	SPLIT LINK	2



LUG CENTRES	WLL AS LIFT BEAM	WLL AS SPREADER BEAM
4000	6.00T	30T
4500	5.25T	30T
5000	4.50T	30T
5500	4.25T	30T
6000	4.00T	30T

**D.O.T.  
ENGINEERING**

1 / 57 PARAMOUNT DRV  
WANGARA. 6065  
WESTERN AUSTRALIA.

**TEL: (08) 9302 4166**

**FAX: (08) 9302 4099**

THIS DRAWING AND THE INFORMATION ON IT  
REMAINS THE PROPERTY OF DOT ENGINEERING  
WRITTEN PERMISSION MUST BE OBTAINED FROM  
DOT ENGINEERING TO COPY OR REPRODUCE  
THE WHOLE OR PART OF THIS DRAWING.

DRAWN

RM

TITLE 4-6m COMBINATION BEAM

CHECKED

SIZE 30T WLL

SCALE 1:14

DATE 27-Mar-11

APPROVED

PROJECT BEAMS

DWG 10181 - 1

REV 3