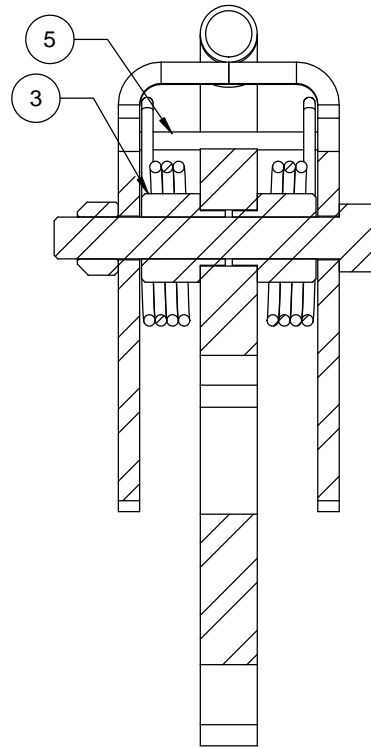
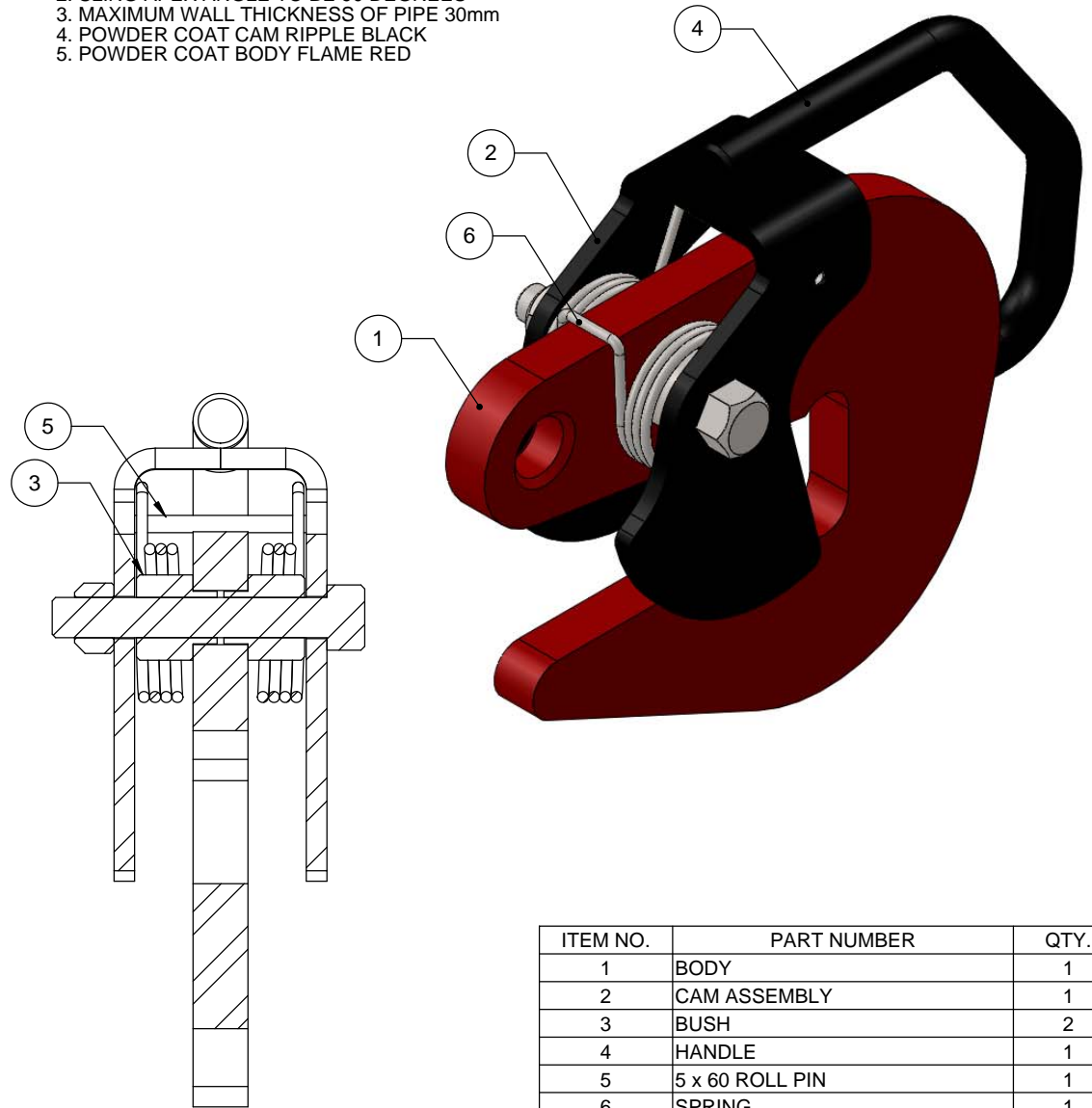


NOTE:

1. TARE WEIGHT 9KG PER PAIR
2. SLING APEX ANGLE TO BE 90 DEGREES
3. MAXIMUM WALL THICKNESS OF PIPE 30mm
4. POWDER COAT CAM RIPPLE BLACK
5. POWDER COAT BODY FLAME RED



SECTION A-A

ITEM NO.	PART NUMBER	QTY.
1	BODY	1
2	CAM ASSEMBLY	1
3	BUSH	2
4	HANDLE	1
5	5 x 60 ROLL PIN	1
6	SPRING	1
7	M12 x 80 BOLT	1
8	M12 CONELock NUT	1

D.O.T.
ENGINEERING

1 / 57 PARAMOUNT DRV
WANGARA. 6065
WESTERN AUSTRALIA.

TEL: (08) 9302 4166

FAX: (08) 9302 4099

THIS DRAWING AND THE INFORMATION ON IT
REMAINS THE PROPERTY OF DOT ENGINEERING
WRITTEN PERMISSION MUST BE OBTAINED FROM
DOT ENGINEERING TO COPY OR REPRODUCE
THE WHOLE OR PART OF THIS DRAWING.

DRAWN

RM

TITLE SELF SUPPORTING PIPE LIFTING HOOKS

CHECKED

SIZE 3T WLL PER PAIR

SCALE

1:1.5

DATE

26-Aug-11

APPROVED

PROJECT HOOKS

DWG

10138 - 1

REV

1