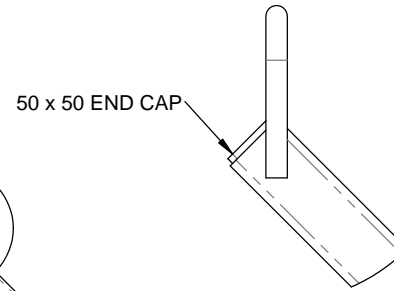
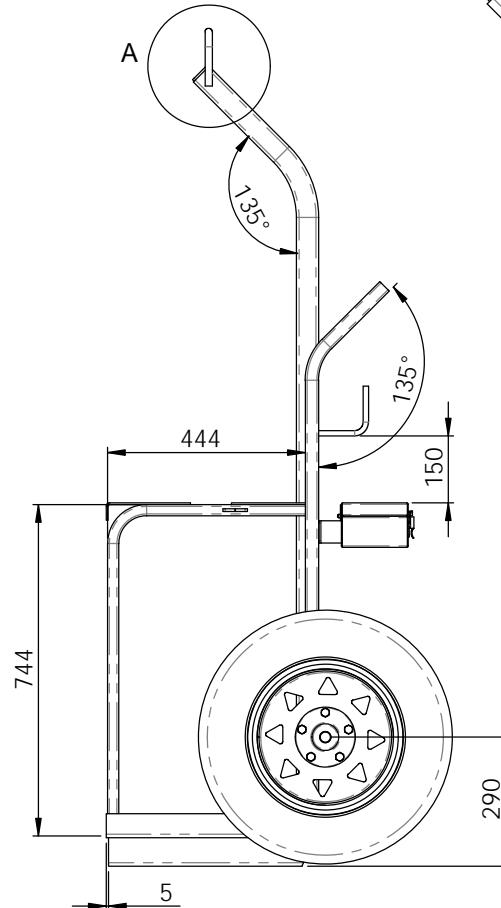
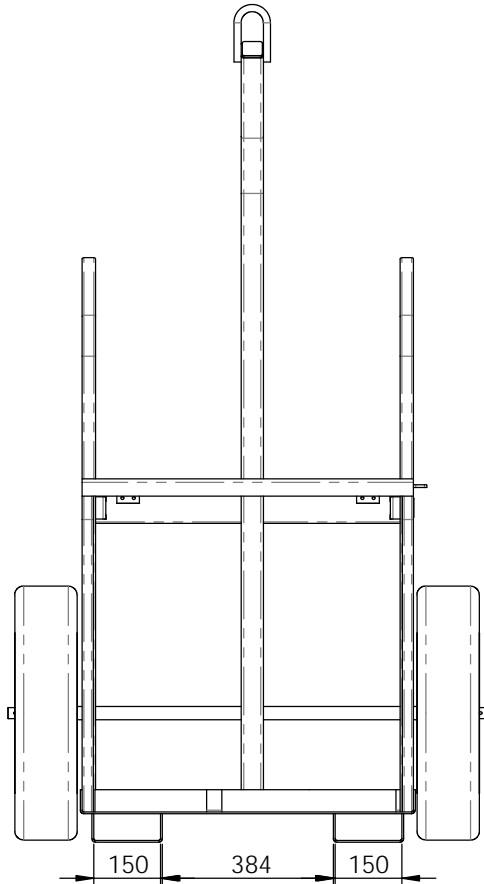


NOTE:

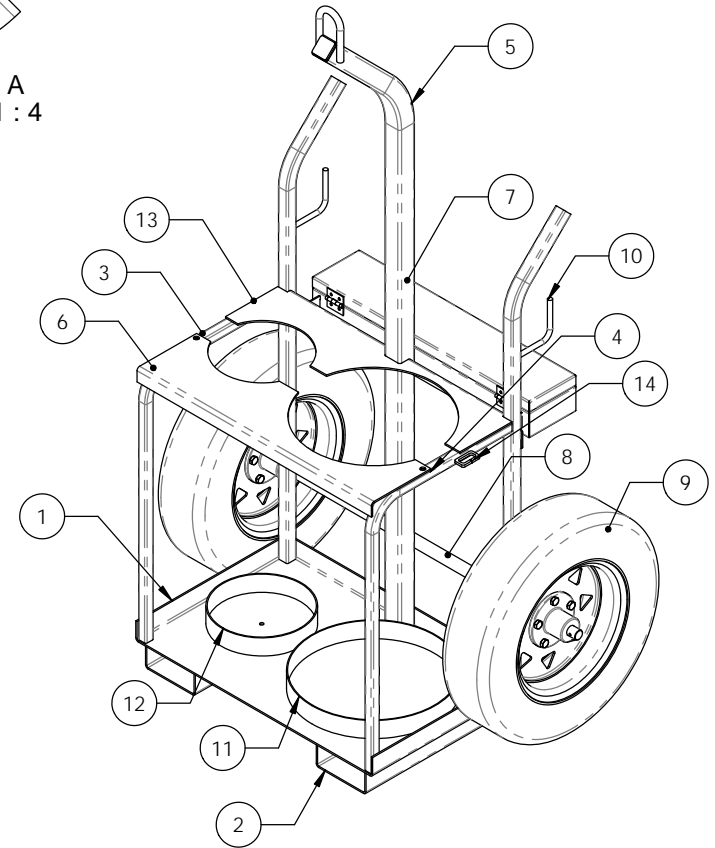
1. ALL WELDING TO COMPLY WITH AS1554.1 CAT SP
2. ALL WELDS 5mm FILLET WELDS
3. ALL HOLLOW SECTION TO COMPLY WITH AS1163 GRD350
4. ALL STEEL PLATE TO COMPLY WITH AS3678
5. TARE WEIGHT 86KG
6. FINISH POWDER COAT GOLDEN YELLOW
7. PROOF LOAD AND MARKINGS TO COMPLY WITH AS4991



DETAIL A
SCALE 1 : 4



ITEM NO.	PART NUMBER	QTY.
1	10386-BASE	1
2	10386-TINE POCKETS	1
3	10386-L.H. SIDE FRAME ASSEMBLY	1
4	10386-R.H. SIDE FRAME ASSEMBLY	1
5	10386-LIFTING BAR ASSEMBLY	1
6	10386-FRONT GUIDE PLATE	1
7	10386-TOOL BOX ASSEMBLY	1
8	10386-AXLE	1
9	10386-WHEEL ASSEMBLY	2
10	10386-HOSE HOOK	2
11	10386-PROPANE RING	1
12	10386-OXYGEN RING	1
13	10386-REAR GUIDE PLATE	1
14	10386-6mm SPLIT LINK	1



D.O.T.
ENGINEERING

1 / 57 PARAMOUNT DRV
WANGARA. 6065
WESTERN AUSTRALIA.

TEL: (08) 9302 4166

FAX: (08) 9302 4099

THIS DRAWING AND THE INFORMATION ON IT
REMAINS THE PROPERTY OF DOT ENGINEERING
WRITTEN PERMISSION MUST BE OBTAINED FROM
DOT ENGINEERING TO COPY OR REPRODUCE
THE WHOLE OR PART OF THIS DRAWING.

DRAWN

RM

TITLE "G" SIZE OXY- "S" SIZE PROPANE GAS BOTTLE TROLLEY

CHECKED

SIZE 200 KG WLL

SCALE 1:12

DATE 22-May-12

APPROVED

PROJECT GAS BOTTLES

DWG 10386 - 1

REV 5