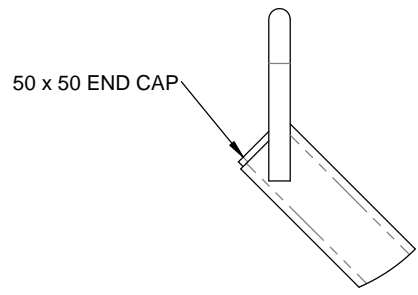
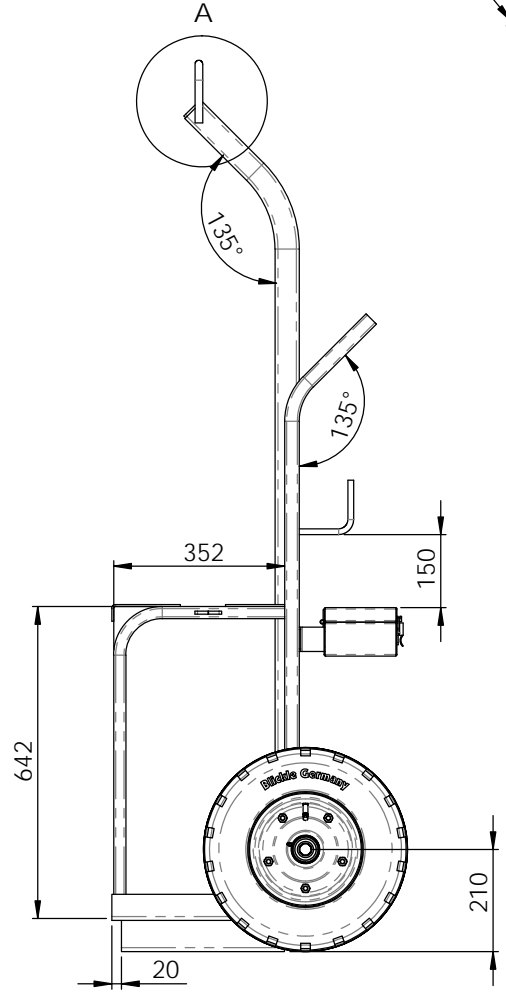
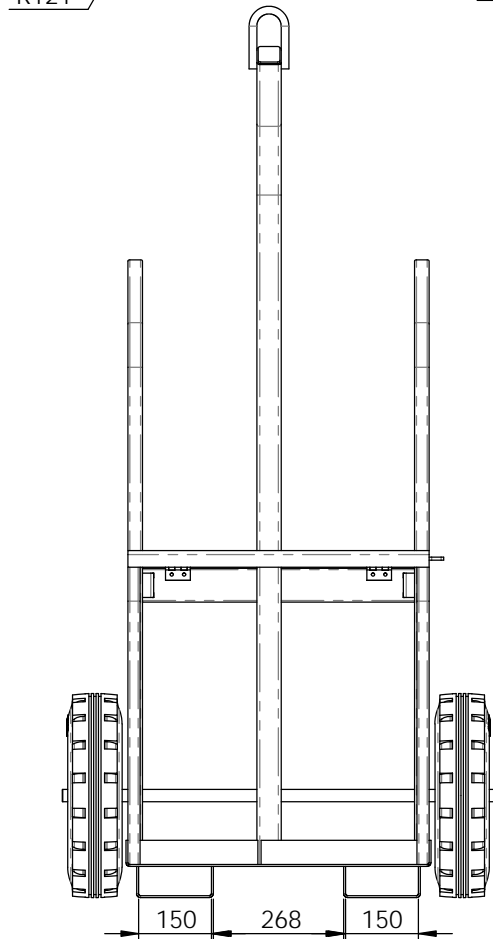


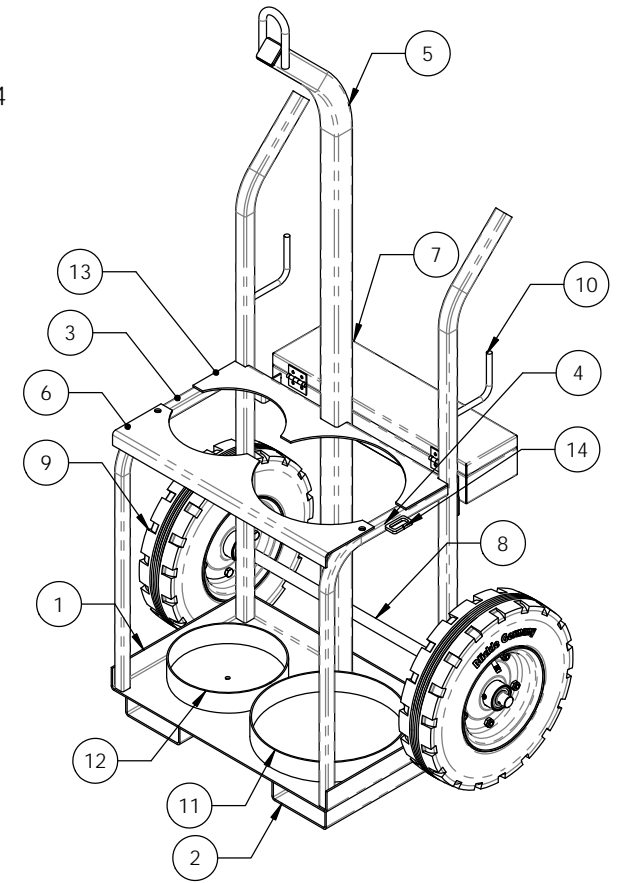
- NOTE:
1. ALL WELDING TO COMPLY WITH AS1554.1 CAT SP
  2. ALL WELDS 5mm FILLET WELDS
  3. ALL HOLLOW SECTION TO COMPLY WITH AS1163 GRD350
  4. ALL STEEL PLATE TO COMPLY WITH AS3678
  5. TARE WEIGHT 55KG
  6. FINISH POWDER COAT GOLDEN YELLOW
  7. PROOF LOAD AND MARKINGS TO COMPLY WITH AS4991



DETAIL A  
SCALE 1 : 4



ITEM NO.	PART NUMBER	QTY.
1	10039-BASE	1
2	10039-TINE POCKETS	1
3	10039-L.H. SIDE FRAME ASSEMBLY	1
4	10039-R.H. SIDE FRAME ASSEMBLY	1
5	10039-LIFTING BAR ASSEMBLY	1
6	10039-FRONT GUIDE PLATE	1
7	10039-TOOL BOX ASSEMBLY	1
8	10039-AXLE ASSEMBLY	1
9	400X8KN-SB10 PNEUMATIC WHEELS	2
10	10039-HOSE HOOK	2
11	10039-ACETYLENE RING	1
12	10039-OXYGEN RING	1
13	10039-REAR GUIDE PLATE	1
14	10039-6mm SPLIT LINK	1



**D.O.T.**  
**ENGINEERING**

1 / 57 PARAMOUNT DRV  
WANGARA. 6065  
WESTERN AUSTRALIA.

TEL: (08) 9302 4166  
FAX: (08) 9302 4099

THIS DRAWING AND THE INFORMATION ON IT  
REMAINS THE PROPERTY OF DOT ENGINEERING  
WRITTEN PERMISSION MUST BE OBTAINED FROM  
DOT ENGINEERING TO COPY OR REPRODUCE  
THE WHOLE OR PART OF THIS DRAWING.

DRAWN	RM	TITLE "G" SIZE OXY/ACET GAS BOTTLE TROLLEY		
CHECKED		SIZE 200 KG WLL	SCALE 1:11	DATE 15-Apr-11
APPROVED		PROJECT GAS BOTTLES	DWG 10039 - 1	REV 4