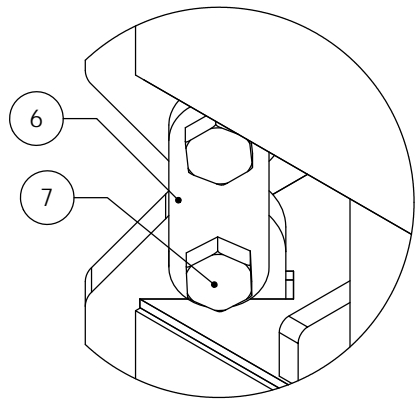
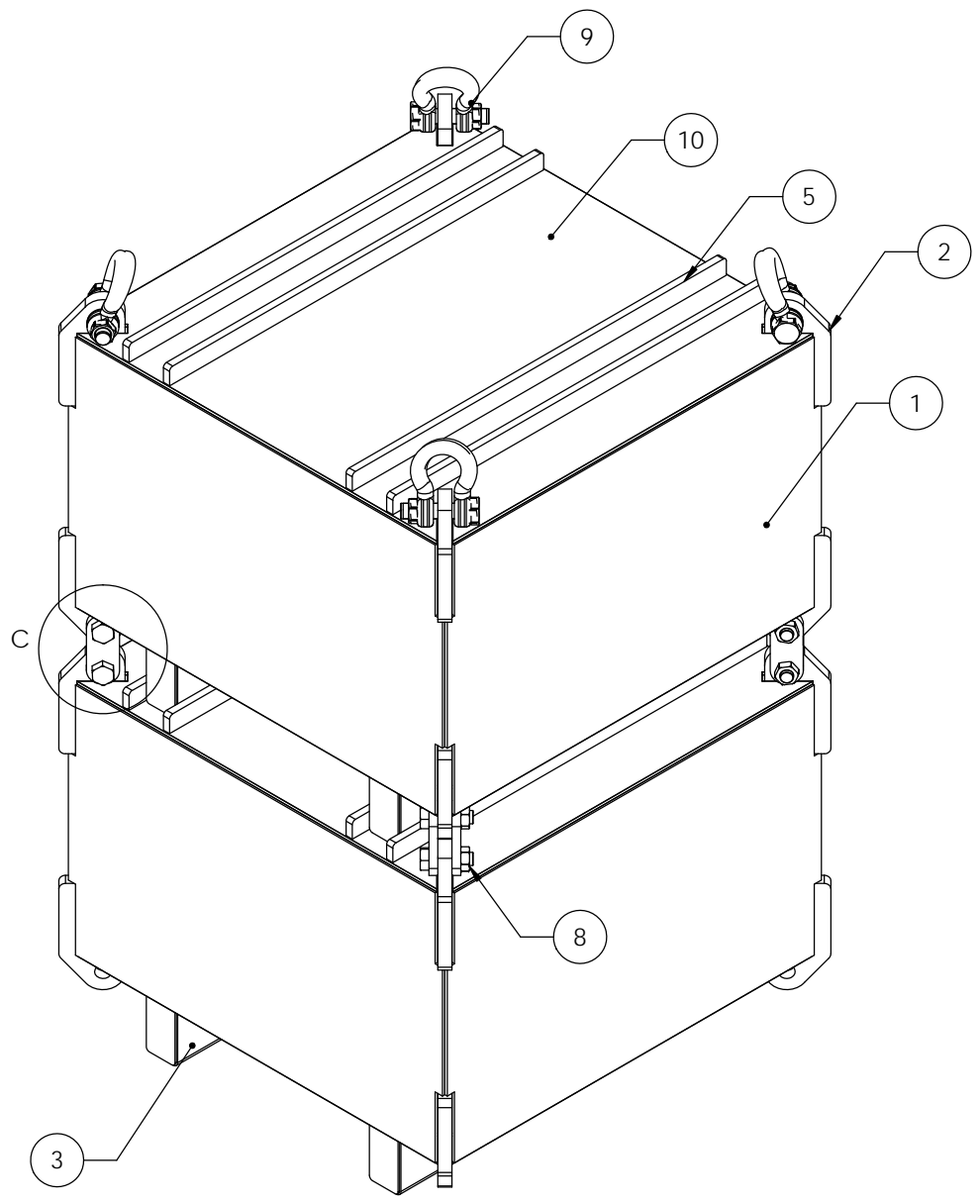


ITEM NO.	PART NUMBER	QTY.
1	10981-SIDE PLATES	8
2	10981-CORNER LUG	8
3	200 x 100 x 5 RHS 1100mm	4
4	10981-END CAP	8
5	50 x 20 FLAT BAR 1200mm	8
6	10981-LINK PLATE	8
7	M30 x 100 GRD 8.8 BOLT	8
8	10981-M30 NUT	8
9	12T SAFETY BOW SHACKLE	8
10	10981-TOP PLATE	4
11	10981-BOTTOM PLATE	2



DETAIL C  
SCALE 1 : 4



**D.O.T.**  
**ENGINEERING**

1 / 57 PARAMOUNT DRV  
WANGARA. 6065  
WESTERN AUSTRALIA.

**TEL: (08) 9302 4166**  
**FAX: (08) 9302 4099**

THIS DRAWING AND THE INFORMATION ON IT  
REMAINS THE PROPERTY OF DOT ENGINEERING  
WRITTEN PERMISSION MUST BE OBTAINED FROM  
DOT ENGINEERING TO COPY OR REPRODUCE  
THE WHOLE OR PART OF THIS DRAWING.

DRAWN	RM	TITLE TEST WEIGHT ASSEMBLY		
CHECKED		SIZE 5T	SCALE 1:12	DATE 26-Jun-11
APPROVED		PROJECT TEST WEIGHTS	DWG 10981 - 4	REV 2