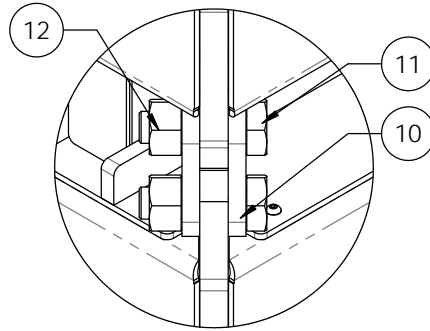
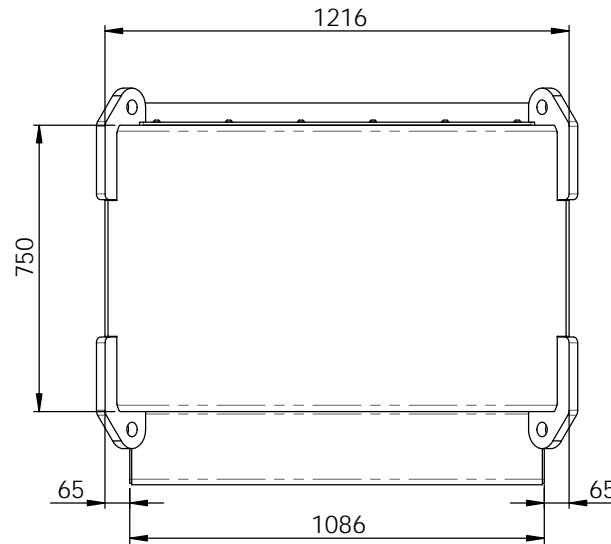
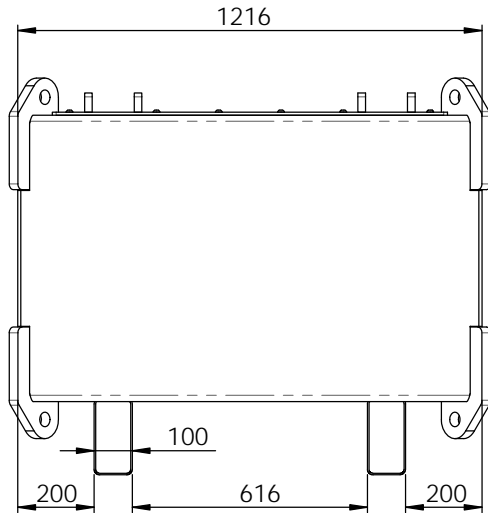
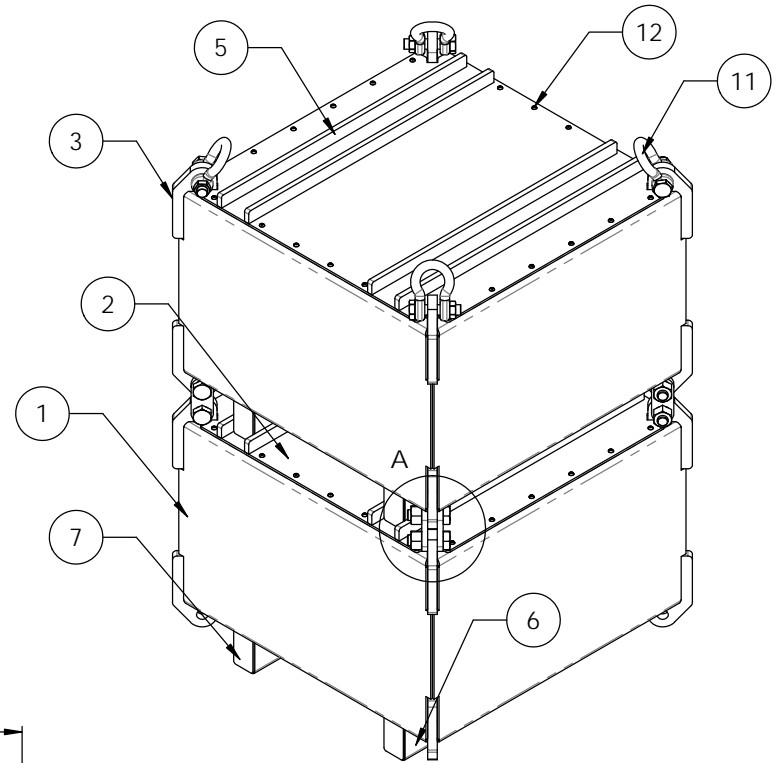


NOTE:

1. ALL WELDING TO COMPLY WITH AS1554.1 CAT SP
2. ALL WELDS 8mm FILLET WELDS
3. ALL STEEL PLATE TO COMPLY WITH AS3678
4. LUGS TO SUIT 12T GRD "S" SAFETY BOW SHACKLES
5. TARE WEIGHT OF EMPTY BOX 625 KG



DETAIL A  
SCALE 1 : 6



ITEM NO.	PART NUMBER	QTY.
1	10970-SIDE PLATES 2	2
2	10970-TOP PLATE	1
3	10970-CORNER LUG	4
4	10970-BOTTOM PLATE	1
5	50 x 20 FLAT BAR 1168mm	2
6	200 x 100 x 5 RHS 1076mm	2
7	10970-END CAP	4
8	10970-LINK PLATE	8
9	M36 x 120 GRD 8.8 HEX HEAD BOLT	8
10	M36 HEX HEAD NUT	8
11	12T GRD. "S" SAFETY BOW SHACKLE	4
12	M10 x 25 BUTTON HEAD SOCKET SCREWS	24

**D.O.T.**  
**ENGINEERING**

1 / 57 PARAMOUNT DRV  
WANGARA. 6065  
WESTERN AUSTRALIA.

TEL: (08) 9302 4166

FAX: (08) 9302 4099

THIS DRAWING AND THE INFORMATION ON IT  
REMAINS THE PROPERTY OF DOT ENGINEERING  
WRITTEN PERMISSION MUST BE OBTAINED FROM  
DOT ENGINEERING TO COPY OR REPRODUCE  
THE WHOLE OR PART OF THIS DRAWING.

DRAWN

RM

TITLE TEST WEIGHT STACKABLE TO FOUR HIGH

CHECKED

SIZE 5T

SCALE

1:14

DATE

26-Jun-11

APPROVED

PROJECT TEST WEIGHTS

DWG

10970 - 1

REV

2