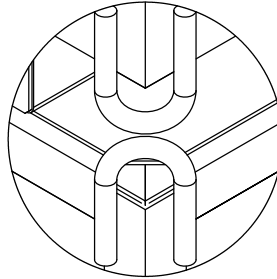
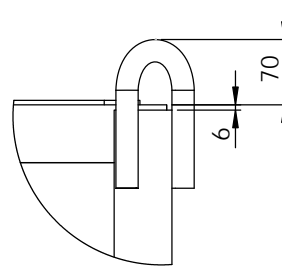
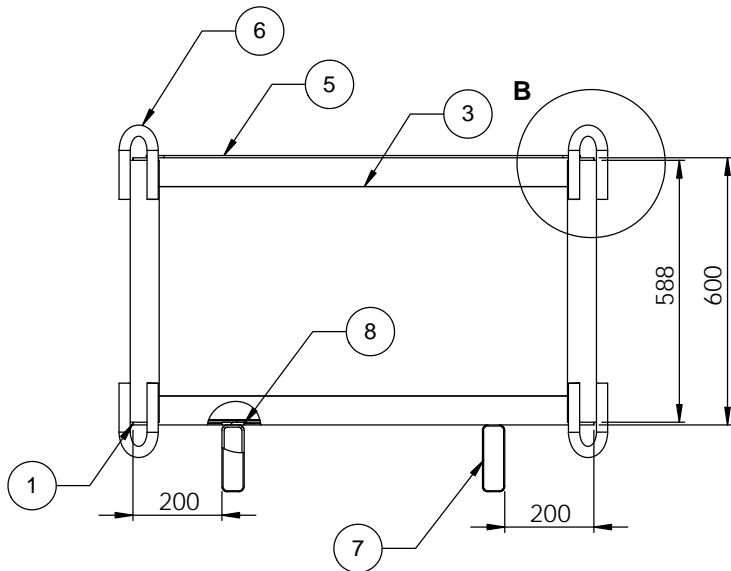
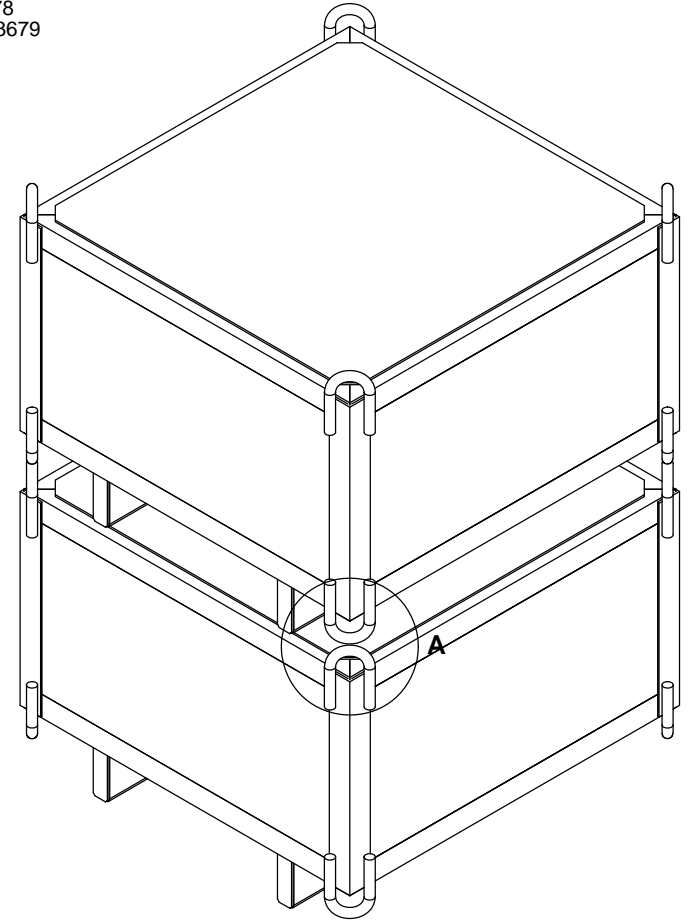


- NOTE:
1. ALL WELDING AS 1554.1 CAT SP
 2. ALL WELDS 5mm FILLET WELDS
 3. ALL STEEL PLATE TO COMPLY WITH AS3678
 4. ALL STEEL SECTION TO COMPLY WITH AS3679
 5. FINISH PAINT TO CUSTOMERS SPEC'S
 6. TARE WEIGHT OF EMPTY BOX 235 KG



DETAIL A
SCALE 1 : 6



DETAIL B
SCALE 1 : 6

ITEM NO.	PART NUMBER	DESCRIPTION	QTY.
1	FRAME	65 x 65 x 6 ANGLE	2
2	VERTICAL ANGLE	65 x 65 x 6 ANGLE 588mm	4
3	SIDE PLATE	4mm GRD250 STEEL PLATE	5
4	FLOOR PLATE	4mm GRD250 STEEL PLATE	1
5	TOP PLATE	5mm GRD250 STEEL PLATE	1
6	LUG	25mm DIAMETER CS1030	8
7	FOOT	150 x 50 x 5 RHS 1000MM	2
8	FLAT BAR	50 x 6 FLAT BAR 905mm	2

D.O.T.
ENGINEERING

1 / 57 PARAMOUNT DRV
WANGARA. 6065
WESTERN AUSTRALIA.

TEL: (08) 9302 4166

FAX: (08) 9302 4099

THIS DRAWING AND THE INFORMATION ON IT
REMAINS THE PROPERTY OF DOT ENGINEERING
WRITTEN PERMISSION MUST BE OBTAINED FROM
DOT ENGINEERING TO COPY OR REPRODUCE
THE WHOLE OR PART OF THIS DRAWING.

DRAWN	RM	TITLE 2T TEST WEIGHT		
CHECKED		SIZE 2T	SCALE 1:12	DATE 20-Oct-11
APPROVED		PROJECT TEST WEIGHTS	DWG 10275 - 1	REV 1